

S&W Supply, LLC

5308 Timberline Trail
 Rapid City SD 57702-1804
 (605) 341-4412
 whiz@swwsupply.com
 Website: www.swwsupply.com



Please Note Perazzi raises prices 3% annually

Jim White, owner - ATA NRA SDSTA Life Member

SUGGESTED RETAIL PRICE LIST APPLICABLE FROM – JULY 2018

DETAILS OF 12GA REMOVABLE TRIGGER GOUP MODELS

Rev 25.5

Note: When placing an order for spare parts, please indicate the part number, its full description and 2-3 letters on barrel's underside. Prices subject to change without prior notice, inquire at the time of order. **ALL RETURNS ARE ASSESSED A 20% RESTOCKING FEE.**

IF YOU DON'T SEE IT, I MAY STILL HAVE IT OR CAN GET IT- TM PARTS ALSO AVAILABLE

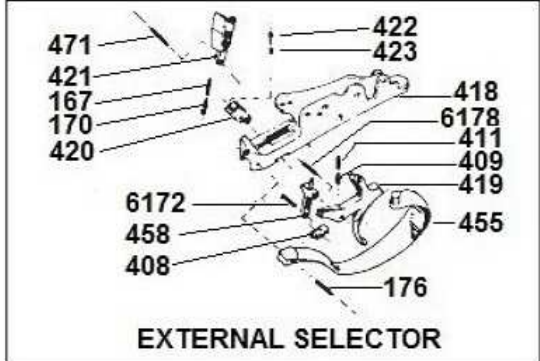
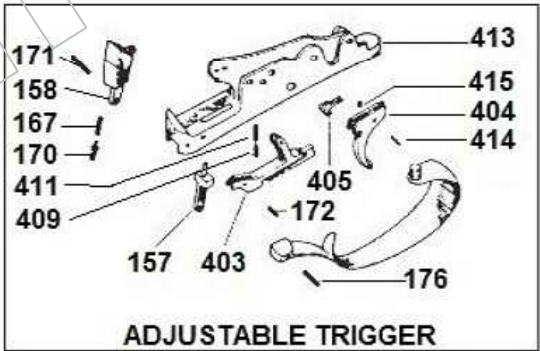
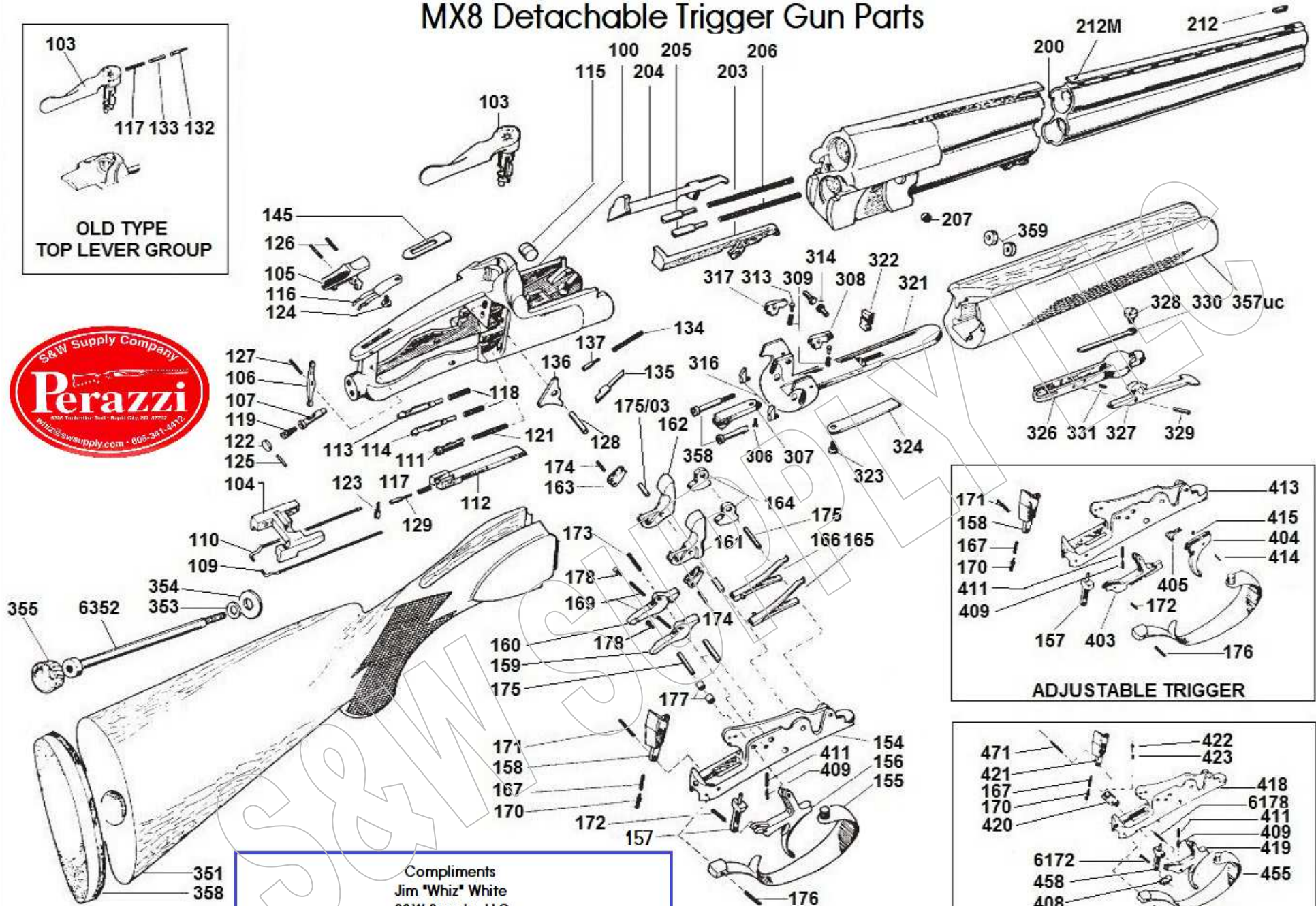
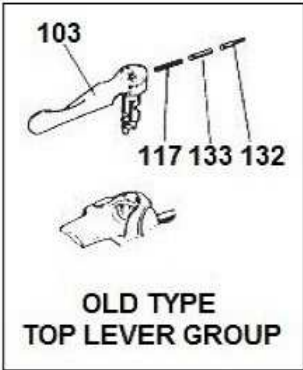
Check my website for parts, prices, schematics and repair instructions



Part #	Description	Price \$	Part #	Description	Price \$	Part #	Description	Price \$
103	Top Lever	388.76	164	Cocking foot	57.07	353	Lock washer	8.11
104	Action Block	172.34	165	Right hammer flat spring	52.45	354	Plain Washer	8.11
105	Safety	120.51	166	Left hammer flat spring	52.45	355	Retainer Pin	14.25
106	Link trigger release	58.00	167	Connector Spring	8.11	356	Recoil Pad, Genuine Perazzi	59.59
107	Lock trigger plate	47.55	169	Sear Spring	8.11	358	Forend lock screw	11.08
109	Right ejector trip rod	47.68	170	Connector plunger	8.11	359	Forend lock bolt	25.88
110	Left ejector trip rod	47.68	171	Connector pin	11.08	403	Adjustable trigger upper part	128.34
111	Locking piece top lever	67.84	172	Connector post pin	11.08	404	Adjustable trigger lower part	128.34
112	Cocking bar	136.80	173	Pivot trip-coil spring remov. trigger grp	11.08	405	Adjustable trigger tab	103.59
113	Top firing pin (no increase by me)	62.80	174	Bridle pin	11.08	407	Trigger guard for adjustable trigger	128.34
114	Bottom firing pin (no increase by me)	62.80	175	Sear retainer pin	11.08	408	Sear trip pin	36.21
115	Pivot	30.08	176	Trigger guard pin	11.08	409	Adjustable trigger retaining pin	11.08
116	Safety Spring	30.08	177	Sear retainer sleeve	11.08	411	Adjustable trigger return spring	8.11
117	Cocking bar spring/Top Lever Spring	8.11	178	Sear plunger	11.08	412	Selector pin spring (optional)	12.25
118	Firing pin return Spring -	8.11	203	Right ejector	204.37	414	Adjustable trigger tab pin	11.08
119	Trigger Plate Lock Pin Spring	8.11	204	Left ejector	204.37	415	Adjustable trigger tab pin spring	8.11
121	Top Lever Return Spring	10.25	205	Ejector spring plunger	11.08	419	Trigger for external selector	136.37
122	Trigger Plate Lock Cap	13.72	206	Ejector spring	15.40	420	External selector tab	109.72
123	Cocking bar check screw	8.11	207	Ejector lock	19.64	421	Connector for external selector tab	80.54
124	Safety spring screw	8.11	212	Front ivory sight – Genuine Perazzi	19.67	422	Pin for external selector tab	11.08
126	Safety button pin	8.11	212MB	Mid-Bead Threaded	19.67	456	Adjustable trigger upper part	67.22
127	Link pin	8.11	302	Same as 323	11.08	458	Release for external selector	80.57
128	Lock Pin, Top Lever & Firing Pins	11.08	306	Forearm cocking cam lock screw	16.72	471	Connector pin for external selector	14.26
129	Plunger trip (130 spring: \$8.00)	8.11	307	Cocking bar cam	52.32	3190	Full Trigger/Firing Pins Parts Kit w/ Case	242.00
131	Ejector Stop Spring Guide	5.00	308	Right ejector sear	41.21	3196	Genuine Perazzi Stock Tool – new style	51.81
132	Top lever release trip	20.31	309	Ejector sear spring	8.11	6161	MT6 Right Hammer for coil springs	167.35
133	Top lever lock trip	20.31	310	Forearm Screw (Type III) – LARGE	10.41	6162	MT Left Hammer for coil springs	167.35
134	Top lever lock pin return spring	8.11	313	Ejector sear plunger	8.11	6166	Right / Left Hammer coil spring	15.40
135	Top lever stop plate release pin	24.28	314	Ejector sear pin	8.11	6172	Sear trip pivot pin	11.08
136	Top lever stop plate	41.21	315	Forearm Screw (Type III) – SMALL	8.99	6178	Link retainer pin	14.25
137	Top lever stop plate rel spg plunger	10.16	316	Ejector trip	53.32	6193	Plunger for coil springs	24.29
145	Under safety	7.37	317	Left ejector sear	41.21	6226	Stock Bolt, machine washer, lock washer	25.91
155	Trigger guard	128.34	322	Catch bolt	41.21	6352	Hammer spring tool - NEWEST DESIGN	35.00
156	Trigger blade	159.11	323	Cocking bar lock screw	11.08	CTW	Perazzi Choke Tube Wrench	51.81
156SB	Trigger Blade, Set-Back Gold	317.19	324	Catch Bolt spring	19.64	HST	Perazzi HARD trigger case	62.39
157	Right or Left Release (specify)	80.08	326	Latch plate	129.51	TPK	Perazzi Stock-Receiver Sleeve	16.73
158	Connector	90.91	327	Latch plate lever	63.09	SPACER	Perazzi Barrel Sleeve (single or O/U)	16.73
159	Right sear	110.06	328	Lock screw for latch plate lever spring	8.11	SOCK2	Perazzi Sleeves (Combo 3)	50.00
160	Left sear	110.06	329	Latch plate pin	8.11	INTSEL	Perazzi design Internal Selector Kit	144.00
161	Right hammer for flat springs	172.34	330	Return spring latch plate lever	24.49	CHOKE	Current Production Choke Tubes	112.05
162	Left hammer for flat springs	172.34	331	Lock pin for latch plate lever	8.11	P315/311	Comp 1/Mirage Forearm Screw – LARGE	10.41
163	Bridle	41.21				P310/311	Comp1/Mirage Forearm Screw - Small	9.23

I specialize in shipping Perazzi parts all over the world. Canadian shipping via USPS is normally about the same as for the lower 48 states. All packages are shipped insured with deliver tracking through USPS. If you provide an email address, you will receive tracking information. I ship extremely fast. If you order on Saturday, I can usually have it in your hands on Monday. I do not ship using customer's shipping accounts, sorry. Being a shooter myself, I realize that time is of the essence. Check my website (listed above) for current pricing - Perazzi prices fluctuate often. I have been servicing Perazzi shotguns and triggers and Ponsness/Warren reloaders for nearly 40 years. All packages shipped insured w/ delivery confirmation. I believe in EXTREMELY FAST SERVICE. If I have it, it ships within 24 hours. Being a shooter myself I realize that time is of the essence. Check my website (listed above) for current pricing – but be aware that Perazzi prices fluctuate. I have been a AA-27 yarder for 40 years. New customer checks may require clearing prior to shipping. **EVEN IF NOT LISTED, I PROBABLY HAVE THE PARTS IN STOCK. IF YOU NEED IT I'LL GET IT FOR YOU!** I am usually in my shop 7 days a week – call at odd hours and I just might answer.

MX8 Detachable Trigger Gun Parts



Compliments
Jim "Whiz" White
S&W Supply, LLC
5308 Timberline Trail - Rapid City SD 57702-1804
Website: www.swsupply.com - E-mail: whiz@swsupply.com
Perazzi Parts & Repair Specialist - 40 years
ATA, NRA, SDSTA Life Member & AA-27-AA 40+ Years

