

# S&W Supply, LLC

5308 Timberline Trail

Rapid City SD 57702-1804

☎ (605) 341-4412

✉ [whiz@swsupply.com](mailto:whiz@swsupply.com)

Website: [www.swsupply.com](http://www.swsupply.com)



Jim White, owner - ATA NRA SDSTA Life Member

## SUGGESTED RETAIL PRICE LIST APPLICABLE FROM – SEPTEMBER 2017 DETAILS OF 12GA TM SINGLE BARREL MODELS

Rev 12.2

Note: When placing an order for spare parts, please indicate the part number, its full description and 2-3 letters on barrel's underside.

Prices subject to change without prior notice, inquire at the time of order. **RETURNS MAY BE ASSESSED A 20% RESTOCKING FEE.**

**IF YOU DON'T SEE IT, I MAY STILL HAVE IT OR CAN GET IT- TM PARTS ALSO AVAILABLE**

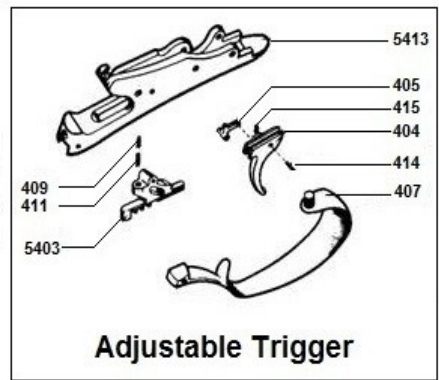
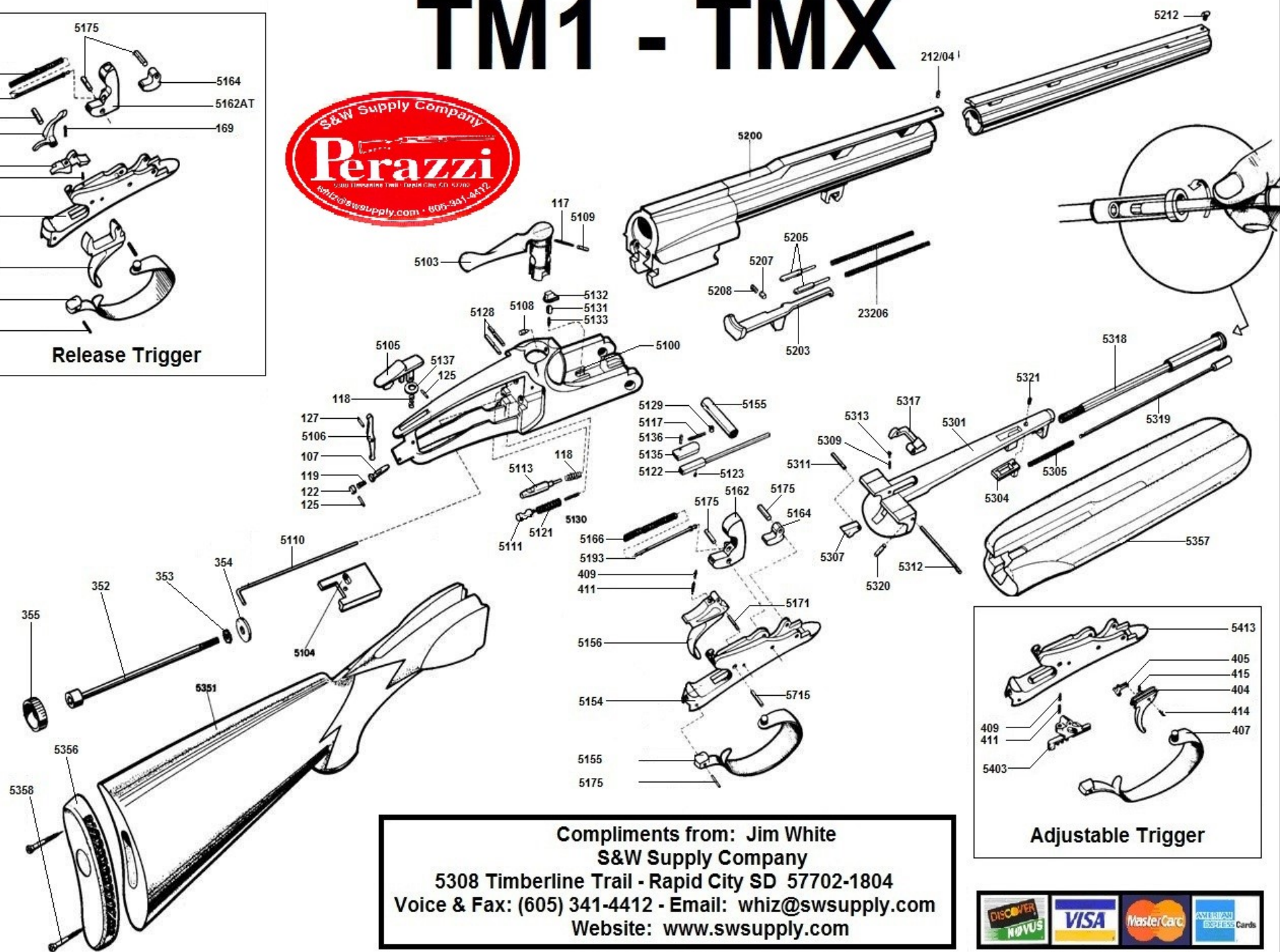
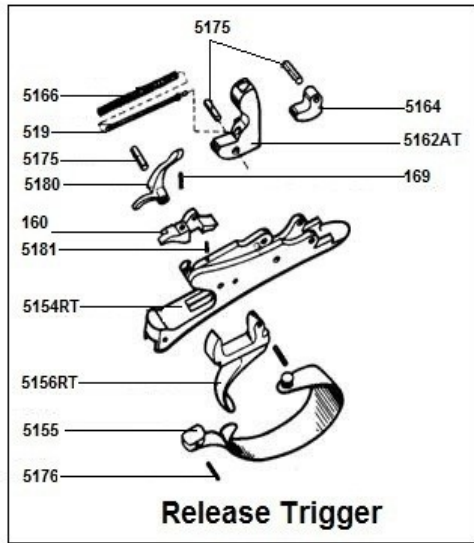
*Check my website for parts, prices, schematics and repair instructions*



| Part      | Description                         | Price \$ | Part  | Description                                   | Price \$ | Part # | Description   | Price \$ |
|-----------|-------------------------------------|----------|-------|---|----------|--------|---|----------|
| 5103      | Top Lever – difficult to obtain     | 355.24   | 5176  | Trigger Guard Pin                             | 9.89     |        |   |          |
| 5104      | Action Block                        | 169.89   | 5193  | Trigger Spring Guide                          | 28.44    |        |   |          |
| 5105      | Safety                              | N/A      | 5203  | Ejector -limited supply new style only        | 199.10   |        |   |          |
| 5106      | Link, Trigger Release               | 54.00    | 5205  | Ejector Coil Spring Plunger                   | 15.25    |        |   |          |
| 5107      | Lock Trigger Plate                  | 47.38    | 5206  | Ejector Coil Spring (2 red.)                  | 13.21    |        | I carry nearly ALL TM parts.  |          |
| 5108      | Top Lever Lock Release Pin          | 17.63    | 5207  | Ejector Lock                                  | 19.13    |        |   |          |
| 5110      | Right Ejector Trip Rod              | 42.50    | 5208  | Ejector Lock Spring                           | 11.18    |        | If you do not see it listed here, I probably                            |          |
| 5111      | Top Lever Locking Piece             | 62.27    | 5304  | Forearm Latch                                 | 75.39    |        | have it in inventory, and if out, I can                                 |          |
| 5112      | Cocking Bar                         | 132.84   | 5305  | Forearm Opening Button Rod Spring             | 5.16     |        | usually have Perazzi Italy ship it to me.                               |          |
| 5113      | Firing Pin                          | 64.90    | 5309  | Ejector Button Latch Spring                   | 5.26     |        |   |          |
| 5117      | Top Lever Lock Plunger Spring       | 7.70     | 5317  | Ejector Release Plate                         | 80.13    |        | I am Perazzi's largest parts distributors                               |          |
| 5117      | Cocking bar spring/Top Lever Spring | 7.70     | 5318  | Forearm Opening Button Housing                | 75.39    |        | and responsible for the now available TM                                |          |
| 5118      | Firing Pin Return Spring            | 7.70     | 5319  | Forearm Opening Button Shaft                  | 68.84    |        | parts here in the US.   |          |
| 5119      | Trigger Plate Lock Pin Spring       | 7.65     | 5320  | Opening Lock Pin                              | 13.08    |        |   |          |
| 5121      | Top Lever Return Spring - OUTER     | 10.74    | 5321  | Forearm Tension Bushing (screw)               | 10.00    |        | If you need it, call. I can usually get it.                             |          |
| 5121-5130 | Top Lever Return Spring Pair        | 25.09    | 5322  | Catch Bolt                                    | 39.19    |        |   |          |
| 5122      | Trigger Plate Lock Cap              | 10.74    | 6126  | Safety/Selector Spring Pin                    | 6.13     |        |   |          |
| 5123      | Cocking Bar Check Screw             | 9.50     | 6161  | Hammer Coil Spring (same as 5166)             | 12.50    |        | All parts are shipped immediately. I pride                              |          |
| 5124      | Safety Spring Screw                 | 7.47     | 6172  | MT6 Link retainer Pin                         | 9.82     |        | is very fast shipments.   |          |
| 5128      | Lock Pin, Top Lever & Firing Pins   | 11.42    | 6178  | Link Retainer Pin                             | 12.36    |        |   |          |
| 5129      | Plunger Trip                        | 6.47     | 6193  | Plunger for Coil Springs                      | 23.66    |        |   |          |
| 5130      | Top Lever Return Spring – INNER     | 12.36    | 6226  | Choke Wrench                                  | 50.47    |        |   |          |
| 5131      | Ejector Stop Guide                  | 9.18     | 6352  | Stock Bolt Assy, bolt, machined washer & lock | 25.54    |        |   |          |
| 5132      | Top Lever Release Trip              | 18.21    |       |   |          |        |   |          |
| 5133      | Ejector Stop Spring                 | 19.75    |       |   |          |        | Look for the new shotgun shooting website                               |          |
| 5135      | Spring Lodging Plate                | 36.77    | KITR  | Complete Spring Rebuild Kit                   | 81.81    |        | Coming soon: <a href="http://shotgun-sports.com">shotgun-sports.com</a> |          |
| 5136      | Top lever Lock Pin                  | 10.43    | CD    | CD of all web-site instructionf and lists     | 10.00    |        |   |          |
| 5137      | Safety Button Tension Washer        | 6.23     | HST   | Hammer spring tool -NEWEST DESIGN             | 35.00    |        |   |          |
| 5138      | Forearm Opening Housing             | 78.84    | PTC   | Perazzi HARD trigger case                     | 60.77    |        |   |          |
| 5155      | Trigger guard – Unavailable         | 164.71   | ST    | Perazzi Stock & Forend Tool                   | 50.47    |        |   |          |
| 5156      | Trigger Blade                       | 150.50   | SOCK1 | Genuine Perazzi Stock-Receiver Sleeve         | 16.30    |        |   |          |
| 5162      | Coil Spring Hammer                  | 168.00   |       |   |          |        |   |          |
| 5163      | Bridle                              | 38.16    |       |   |          |        |   |          |
| 5164      | Cocking Foot                        | 55.82    |       |   |          |        |   |          |
| 5166      | Hammer Coil Spring                  | 17.99    |       |   |          |        |   |          |
| 5166L     | Hammer Leaf Spring                  | 49.90    |       |   |          |        |   |          |
| 5169      | Trigger Return Spring               | 7.93     |       |   |          |        |   |          |
| 5175      | Hammer Pivot Pin                    | 13.48    |       |   |          |        |   |          |
|           |                                     |          |       |   |          |        | >>> NOTE <<<  |          |
|           |                                     |          |       |   |          |        | RETURNS NOT ACCEPTED AFTER  |          |
|           |                                     |          |       |   |          |        | 30 DAYS FROM INVOICE SHIP DATE  |          |

I specialize in shipping Perazzi parts all over the world. Canadian shipping via USPS is normally about the same as for the lower 48 states. All packages are shipped insured with deliver tracking through USPS. If you provide an email address, you will receive tracking information. I ship extremely fast. If you order on Saturday, I can usually have it in your hands on Monday. I do not ship using customer's shipping accounts, sorry. Being a shooter myself, I realize that time is of the essence. Check my website (listed above) for current pricing - Perazzi prices fluctuate often. I have been servicing Perazzi shotguns and triggers and Ponsness/Warren reloaders for nearly 40 years. bvor at a very reasonable rate. Shipping to Canada is normally as cheap as to the lower 48 states. All packages shipped insured w/ delivery confirmation. I believe in EXTREMELY FAST SERVICE. If I have it, it ships within 24 hours. Being a shooter myself I realize that time is of the essence. Check my website (listed above) for current pricing – but be aware that Perazzi prices fluctuate. I have been a AA-27 yarder for 40 years. Checks may require clearing prior to shipping. **EVEN IF NOT LISTED, I PROBABLY HAVE THE PARTS IN STOCK. IF YOU NEED IT I'LL GET IT FOR YOU!**

# TM1 - TMX



Compliments from: Jim White  
 S&W Supply Company  
 5308 Timberline Trail - Rapid City SD 57702-1804  
 Voice & Fax: (605) 341-4412 - Email: whiz@swsupply.com  
 Website: www.swsupply.com

