



Note: When placing an order for spare parts, please indicate the part number, its full description and 2-3 letters on barrel's underside.

Prices subject to change without prior notice, inquire at the time of order. **RETURNS MAY BE ASSESSED A 20% RESTOCKING FEE.**

IF YOU DON'T SEE IT, I MAY STILL HAVE IT OR CAN GET IT- TM PARTS ALSO AVAILABLE

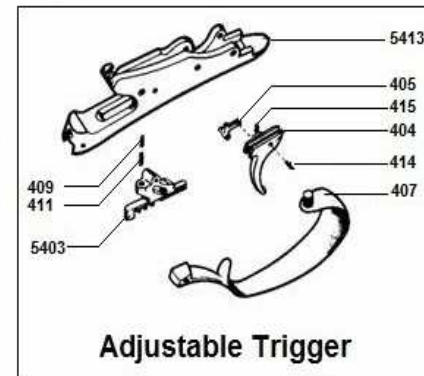
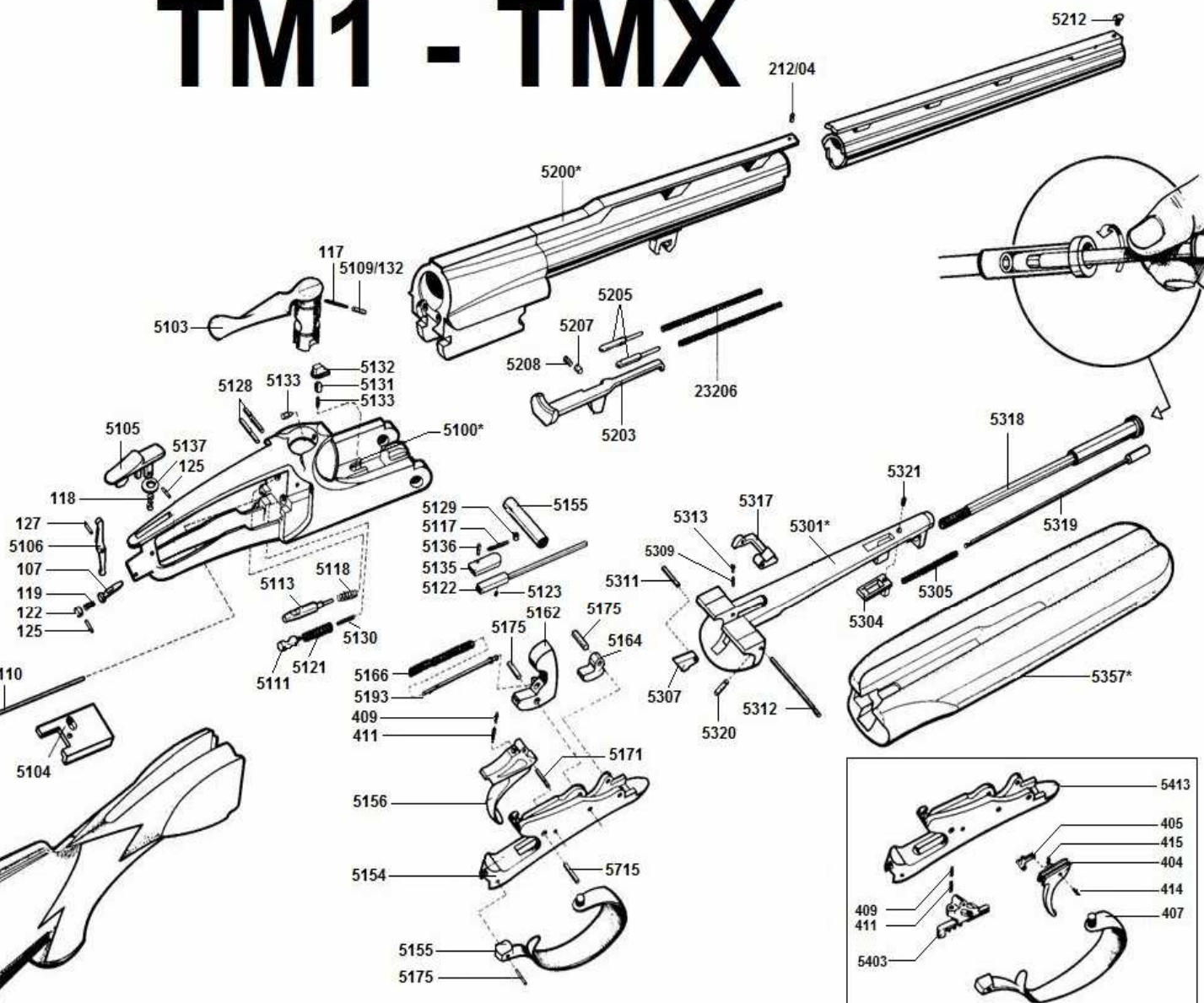
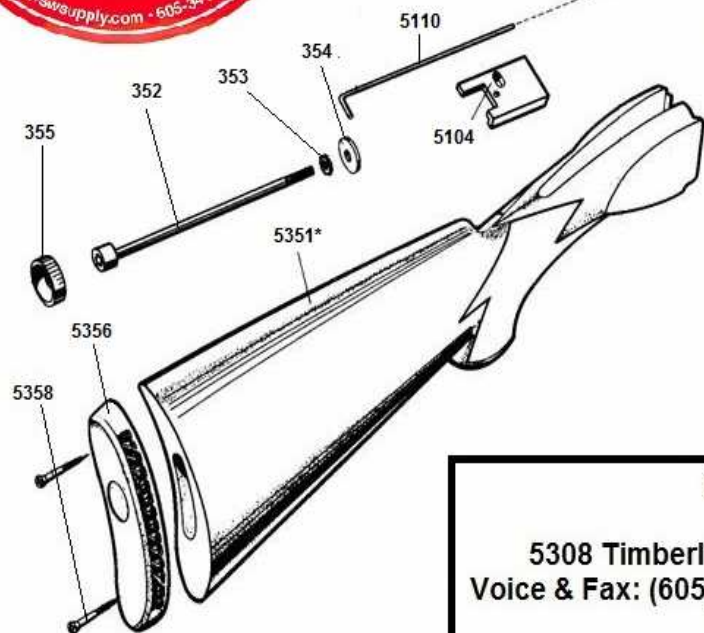
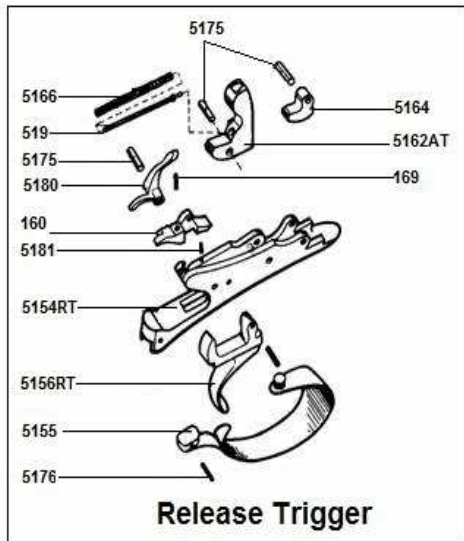
Check my website for parts, prices, schematics and repair instructions



Part	Description	Price \$	Part	Description	Price \$	Part #	Description	Price \$
5103	Top Lever – difficult to obtain	355.24	5176	Trigger Guard Pin	9.89			
5104	Action Block	169.89	5193	Trigger Spring Guide	28.44			
5105	Safety	N/A	5203	Ejector -limited supply new style only	199.10			
5106	Link, Trigger Release	54.00	5205	Ejector Coil Spring Plunger	15.25			
5107	Lock Trigger Plate	47.38	5206	Ejector Coil Spring (2 red.)	13.21		I carry nearly ALL TM parts.	
5108	Top Lever Lock Release Pin	17.63	5207	Ejector Lock	19.13			
5110	Right Ejector Trip Rod	42.50	5208	Ejector Lock Spring	7.39		If you do not see it listed here, I probably	
5111	Top Lever Locking Piece	62.27	5304	Forearm Latch	75.39		have it in inventory, and if out, I can	
5112	Cocking Bar	131.81	5305	Forearm Opening Button Rod Spring	11.52		usually have Perazzi Italy ship it to me.	
5113	Firing Pin	64.90	5309	Ejector Button Latch Spring	5.26			
5117	Top Lever Lock Plunger Spring	7.70	5317	Ejector Release Plate	80.13		I am Perazzi's largest parts distributors	
5117	Cocking bar spring/Top Lever Spring	7.70	5318	Forearm Opening Button Housing	75.39		and responsible for the now available TM	
5118	Firing Pin Return Spring	7.70	5319	Forearm Opening Button Shaft	68.84		parts here in the US.	
5119	Trigger Plate Lock Pin Spring	7.65	5320	Opening Lock Pin	13.08			
5121	Top Lever Return Spring - OUTER	10.74	5321	Forearm Tension Bushing (screw)	10.00		If you need it, call. I can usually get it.	
5121-5130	Top Lever Return Spring Pair	25.09	5322	Catch Bolt	39.19			
5122	Trigger Plate Lock Cap	10.74	6126	Safety/Selector Spring Pin	6.13			
5123	Cocking Bar Check Screw	9.50	6161	Hammer Coil Spring (same as 5166)	12.50		All in-stock parts are shipped immediately.	
5124	Safety Spring Screw	7.47	6172	MT6 Link retainer Pin	9.82		I take pride in very fast shipping.	
5128	Lock Pin, Top Lever & Firing Pins	11.42	6178	Link Retainer Pin	12.36			
5129	Plunger Trip	6.47	6193	Plunger for Coil Springs	23.66			
5130	Top Lever Return Spring – INNER	12.36	6226	Choke Wrench	50.47			
5131	Ejector Stop Guide	9.18	6352	Stock Bolt Assy, bolt, machined washer & lock	25.54			
5132	Top Lever Release Trip	18.21						
5133	Ejector Stop Spring	19.75					Look for new shotgun shooting website	
5135	Spring Lodging Plate	36.77	KITR	Complete Spring Rebuild Kit	81.81		Coming soon: shotgun-sports.com	
5136	Top lever Lock Pin	10.43	CD	CD of all web-site instructions and lists	10.00			
5137	Safety Button Tension Washer	6.23	HST	Hammer spring tool -NEWEST DESIGN	35.00			
5138	Forearm Opening Housing	78.84	PTC	Perazzi HARD trigger case	60.77			
5155	Trigger guard – Unavailable	164.71	ST	Perazzi Stock & Forend Tool	50.47			
5156	Trigger Blade	150.50	SOCK1	Genuine Perazzi Stock-Receiver Sleeve	16.30			
5162	Coil Spring Hammer	168.00						
5163	Bridle	38.16						
5164	Cocking Foot	49.80						
5166	Hammer Coil Spring	17.99						
5166L	Hammer Leaf Spring	49.90						
5169	Trigger Return Spring	7.93						
5175	Hammer Pivot Pin	13.48						
							>>> NOTE <<<	
							RETURNS NOT ACCEPTED AFTER	
							30 DAYS FROM INVOICE DELIVERY DATE	

I specialize in shipping Perazzi parts all over the world. Canadian shipping via USPS is normally about the same as for the lower 48 states. All packages are shipped insured with deliver tracking through USPS. If you provide an email address, you will receive tracking information. I ship extremely fast. If you order on Saturday, I can usually have it in your hands on Monday. I do not ship using customer's shipping accounts, sorry. Being a shooter myself, I realize that time is of the essence. Check my website (listed above) for current pricing - Perazzi prices fluctuate often. I have been servicing Perazzi shotguns and triggers and Ponsness/Warren reloaders for nearly 40 years. bvor at a very reasonable rate. Shipping to Canada is normally as cheap as to the lower 48 states. All packages shipped insured w/ delivery confirmation. I believe in EXTREMELY FAST SERVICE. If I have it, it ships within 24 hours. Being a shooter myself I realize that time is of the essence. Check my website (listed above) for current pricing – but be aware that Perazzi prices fluctuate. I have been a AA-27 yarder for 40 years. Checks may require clearing prior to shipping. **EVEN IF NOT LISTED, I PROBABLY HAVE THE PARTS IN STOCK. IF YOU NEED IT, I'LL GET IT FOR YOU!**

TM1 - TMX



Compliments from: Jim White
S&W Supply Company
5308 Timberline Trail - Rapid City SD 57702-1804
Voice & Fax: (605) 341-4412 - Email: whiz@swsupply.com
Website: www.swsupply.com

* - No longer available from Perazzi

