



## CHANGING TM TOP LEVER & LEVER SPRINGS & ACTION BLOCK INSTRUCTIONS

REFER TO THE SCHEMATIC BELOW FOR REFERENCES

© James L. White, S&W Supply, LLC, 2009, 2017, Ver. 3.0

**I RECOMMEND THAT A GUNSMITH PERFORM THE FOLLOWING TASK BUT IF YOU ARE HANDY AND UNDERSTAND THE DYNAMICS OF THIS OPERATION – HAVE AT IT**

1. Remove trigger butt-stock from Receiver.

**You will need to remove both cross pins, the firing pins and firing pin spring. The TOP LEVER must be in the HOME POSITION (6 o'clock). See Photo 1 below.**

2. Remove both cross pins #128 (Photo 1).
3. After removing the firing pin and coil spring, inspect both for excessive wear, for any broken coil(s) and replace as necessary. CLEAN out the firing pin cavity with a Q-Tip or similar, and apply a small amount of very thin grease in this cavity.

→ **This is the tricky part (READ CAREFULLY):**

- A. Turn the receiver up-side-down on a couple of blocks of wood to keep the receiver up, off the table top so that the top lever can be driven out (down). PLACE A TOWEL UNDER THE RECEIVER to catch any springs, guide, and plungers that will be expelled when you do Step B below.
- B. With a small drift punch, through the small hole in the underside of the Action Block, tap the top lever down (out) of the receiver. In doing this you will expel the Top Lever Coil Spring and its Guide, and at the same time to top lever Lock #5109 (also called #133) will launch. There should be a Top Lever Lock Spring either IN or launched OUT of the top to the Top Lever. You may also expel the Top Lever Trip Button #5108... keep it at hand for Step 5.

*Hopefully, you have kept those from disappearing*

### S&W Supply, LLC

5308 Timberline Trail • Rapid City SD 57702

☎ (605) 341-4412 Phone/Voice Mail/Fax

✉ [whiz@swsupply.com](mailto:whiz@swsupply.com) • Website: <http://www.swsupply.com>

C:\MY DOCUMENTS\PERAZZI\INSTRUCTIONS\TOP LEVER COIL REPLACEMENT 2017 Version 3.DOC & PDF

C. You should now be able to pull the top lever OUT of the receiver. Thoroughly clean the spring area and the top lever large hole in the receiver, and oil/grease accordingly.

### **REASSEMBLY**

3. If only replacing only the Top Lever Coil Spring(s), then skip to Step 6 below. Otherwise, to fit a new action block, you will need to fit the action block. In doing this you will simply modify the action block which is a time-consuming process including multiple insertions, testing, removal, etc.
4. You do this until the top lever and action block are installed (not permanently) in the receiver, the barrel and forearm attached, testing until the top lever sit at approximately 4 o'clock, or where the top lever sits where the receiver tang and wood meet. This could take several hours to do it correctly.
5. When you have correctly fitted to new action block, the receiver should be placed in a protected vice, up-side-down.
6. Insert the Action Block into the receiver and position it in a position such that the top lever tang will sit in its slot. **DO NOT INSERT TOP LEVER YET!**
7. Find the dual-diameter pin #5108, Top Lever Release Button, which sits IN the receiver at 12 o'clock. It may still be in its required position, or it may have dropped out while working on the receiver. Be sure to insert it into the receiver (rear-to-front) and apply some grease to hold it in place.

*This is the button the barrel hits as you close the gun to "trip" the top lever to swing back into a locking position*

8. This is the most "testy" part in all of this procedure. Insert the Top Lever Return Springs #5121-5130 and Guide #5111 in exactly the correct position such that the top lever can be set into a position that it will hold in place the Action Block.
9. The Guide #5111 has a slot in it and many people think this is a screw head... it is most definitely NOT. It is an alignment slot, and is used in conjunction with a gunsmith thin-blade screw driver to hold in position AND to permit the use of that screw driver to FORCE the guide forward placing pressure on the dual coil springs. YOU WILL force this guide forward enough to permit the correct placement of the Top Lever.

**NOTE:** This #5111 is the actual part the holds the Top Lever in place and is what operates the lever to make it close. The guide slot is designed for alignment and **SHOULD NOT BE TURNED** like a screw to loosen.

### **S&W Supply, LLC**

5308 Timberline Trail • Rapid City SD 57702

☎ (605) 341-4412 Phone/Voice Mail/Fax

✉ [whiz@swsupply.com](mailto:whiz@swsupply.com) • Website: <http://www.swsupply.com>

C:\MY DOCUMENTS\PERAZZI\INSTRUCTIONS\TOP LEVER COIL REPLACEMENT 2017 Version 3.DOC & PDF

10. DO NOT PLACE TOP LEVER 100% INTO POSITION YET.
11. You can secure the Top Lever into the Action Block by JUST inserting it deep enough into the action block and this will hold the #5111, #5121-#5130 guide, and spring pair in place allowing the removal of the screwdriver. The top lever itself (see Photo 2) has a hole in the top of it where the very small coil spring #117 and #5

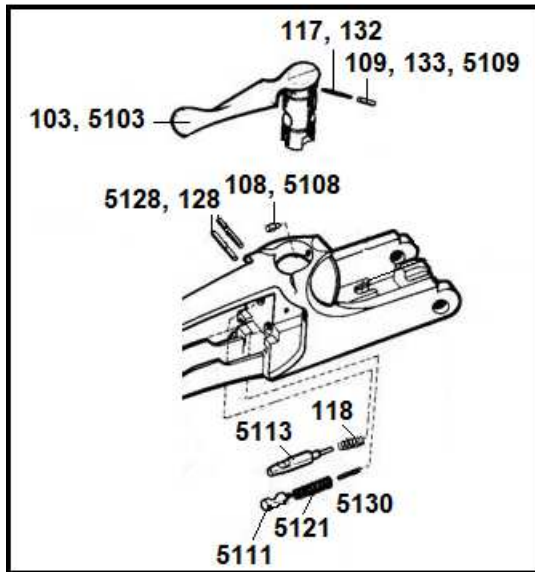


PHOTO 1



PHOTO 2

**A SMALL PERSONAL NOTE REGARDING THESE INSTRUCTIONS: I have spent about 3 hours, give or take, developing just this set of instructions for free use to anyone who may want them.**

**To this end, I don't see much in the way of donations for all my efforts to support the Perazzi shooters. What I do see are higher costs in maintaining this website, beyond my control.**

**I may be forced to cease making these available, should I have to continue operating this "free" website.**

**I would appreciate your donations, big or small, as they tell me my efforts have not been wasted.**

### **S&W Supply, LLC**

5308 Timberline Trail • Rapid City SD 57702

☎ (605) 341-4412 Phone/Voice Mail/Fax

✉ [whiz@swsupply.com](mailto:whiz@swsupply.com) • Website: <http://www.swsupply.com>